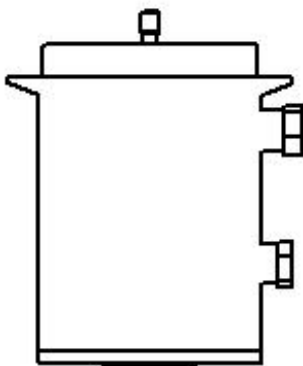


PNEUMATIC ACTUATORS

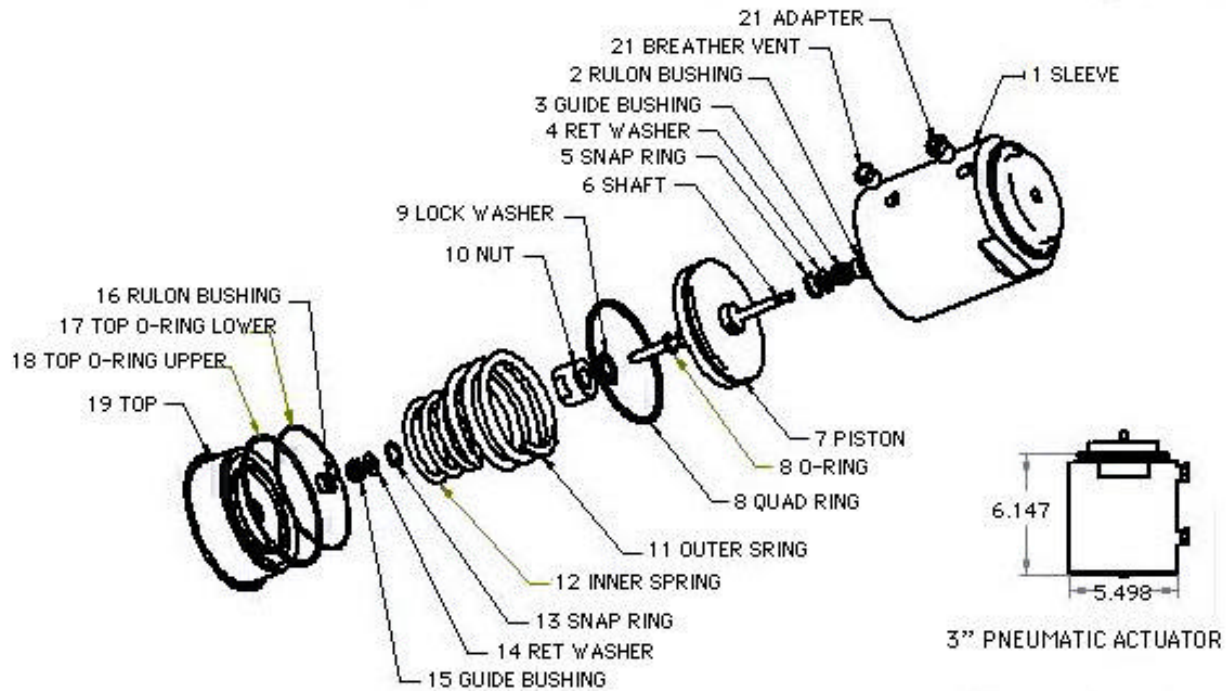
355 Pioneer Way
Suite B
Mountain View, CA 94041
800-882-3886
www.ASEPCO.com

When ASEPCO designed its actuators, we took great care in making them industry appropriate, operator friendly and yet sturdy enough to withstand some pretty rough treatment. We made sure that our pneumatic actuators are not spring loaded, they all are machined from 304 Stainless Steel and are designed to withstand some dings and drops. All actuators have a position indicating shaft that extends when the valve is open (for visual confirmation of valve position) and contain as few o-rings and seals as possible which require very simple maintenance on an annual basis. Additionally, to prevent any galling, we machine all our actuator bodies out of 304 Stainless Steel, our diaphragm shafts out of 316 Stainless Steel and our actuator shafts out of Galltough.

All ASEPCO actuators meet 3A requirements and can withstand operating pressure of 250 psi and operating temperature of 135° C (or 275° F).



ASEPCO's Pneumatic Actuators are available in either normally closed (spring-to-close or fail-close) or normally open (spring-to-open or fail-open) configurations. They require the following minimum air requirements to open fully. ASEPCO designed it's pneumatic actuator to open when 60 psi for .5" and 80 psi for 1" to 3" air is applied, as is standard for most plants. That being said, they will hold up against this same amount of pressure being applied directly on the diaphragm top or in tank pressure; however if greater resistance is needed you can buy a special double spring actuator.



HEIGHT OF ACTUATORS- From top (knob) to clamp face.

0.5"	Pneumatic Actuator	3.192"
	Maximum travel of position indicator	0.220"
1.0"	Pneumatic Actuator	4.371"
	Maximum travel of position indicator	0.305"
1.5"	Pneumatic Actuator	4.721"
	Maximum travel of position indicator	0.562"
2.0"	Pneumatic Actuator	4.721"
	Maximum travel of position indicator	0.562"
3.0"	Pneumatic Actuator	6.265"
	Maximum travel of position indicator	0.780"

CLEARANCES FOR DIAPHRAGM REMOVAL

<u>Pneumatic</u>		<u>Pneumatic w/9920 Switch</u>	
0.5"	4.20"	0.5"	8.45"
1.0"	5.67"	1.0"	10.17"
2.0"	6.45"	2.0"	10.95"

PNEUMATIC ACTUATORS SPARE PARTS LIST

PART# PAK-050
ASEPCO 0.5" Pneumatic Actuators

PART# PAK-100
ASEPCO 1.0" Pneumatic Actuators

PART# PAK-200
ASEPCO 1.5"-2.0" Pneumatic Actuators

PART # PAK-300
ASEPCO 3.0" Pneumatic Actuators
**Includes O-rings, guide bushings and quad ring

IMPORTANT: O-RINGS SHOULD BE REPLACED ANNUALLY